



60 YEARS

HYDRAULIC MOTOR
PRODUCTION IN FINLAND

More information and technical details:



Black Bruin Inc. | www.blackbruin.com | sales@blackbruin.com

on-demand-drive-system-plus-en-rev-a

MAY THE TORQUE BE WITH YOU.



On-Demand **Drive System** | plus

Black Bruin

On-Demand Drive System | plus

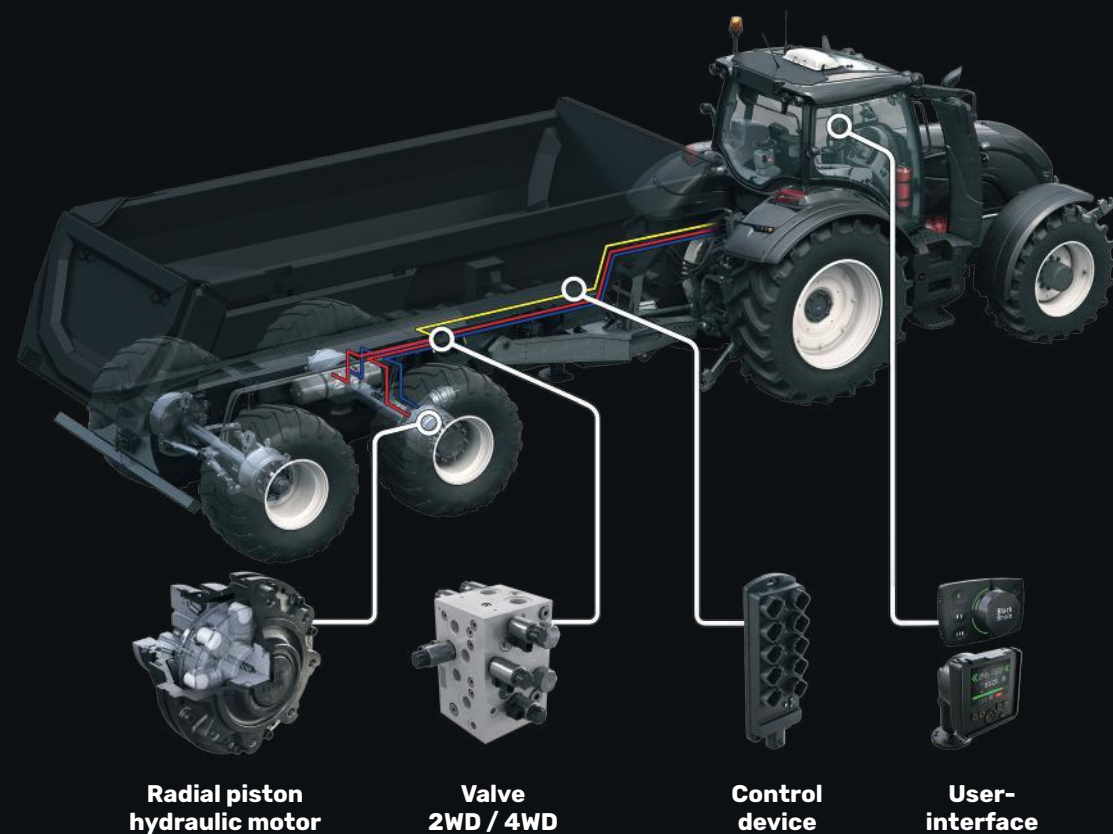
The Black Bruin On-Demand Drive System | plus is a power transmission solution designed specifically for tractor-driven trailers and implements. The core of the system is formed by a hydraulic wheel hub motor, which provides tractive power exactly where it's needed – right underneath the heavy load. The radial piston motor, combined with new technologies, offers many advantages to improve the productivity and sustainability of machines in the cultivation of the fields. These include:

1 Optimized use of the season due to reduced dependency on the weather

2 Saving on fuel consumption through improved traction and reduced slip

3 Reduction of soil compaction

4 Combination of several work steps



Valves and control systems CTR201/CTR101

Black Bruin control systems include functions for various operating situations for off-road use: Driving direction selection, tractive power adjustment, speed range control, freewheeling, and assisting traction control (ATC).

CTR201 control system utilizes the tractor's ISOBUS which provides the system with all the data needed to control the trailer's wheel motors, such as the tractor's direction and speed.

CTR101 offers either manual control or automation based on speed sensors in motors.

OPTIONS

- 2WD/4WD
- 1- or 2-speed motor control
- Hill descent control (HDC)
- Compatible with tractor or on-board hydraulics
- Complete system, easy to install
- NEW: drive automation based on speed sensors in motors
- NEW: CAN based operating panel (stand-alone or in addition to display)



Wheel motors B200-series

B200-series wheel motors are designed to generate tractive power on tractor-driven trailers and implements. Due to their unique freewheeling technology, the motor can freewheel without active hydraulics and work as a conventional wheel hub.

B200-series motors transmit between 35 and 130 kW of power and up to 45 kNm of torque. Displacements range from 500 to 6300 ccm with load carrying capacity between 50 and 280 kN.

B200-series wheel motors are also available as part of drive axles sold by our partners.

OPTIONS

- 1- or 2-speed function
- In-built-freewheeling valve, NEW: also available for B270
- Certified drum brakes and caliper disc brakes
- NEW: Speed sensor with direction and motion detection, also in combination with drum and caliper disc brake

